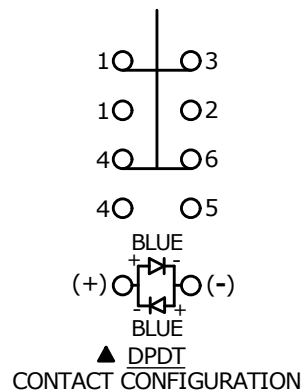


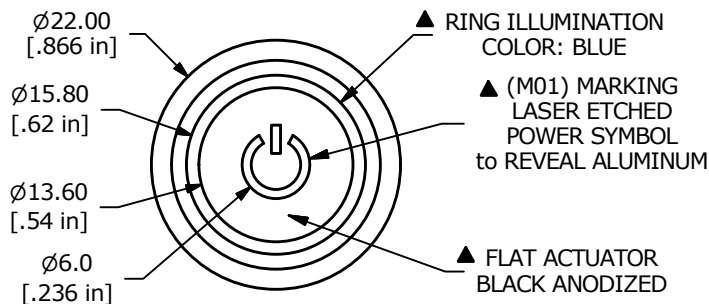
Recommended PANEL CUTOUT
MAX. PANEL THICKNESS
11.0mm [.433]

SWITCH FUNCTION	
POS. 1	POS. 2
ON	ON
1-3, 4-6	1-2, 4-5

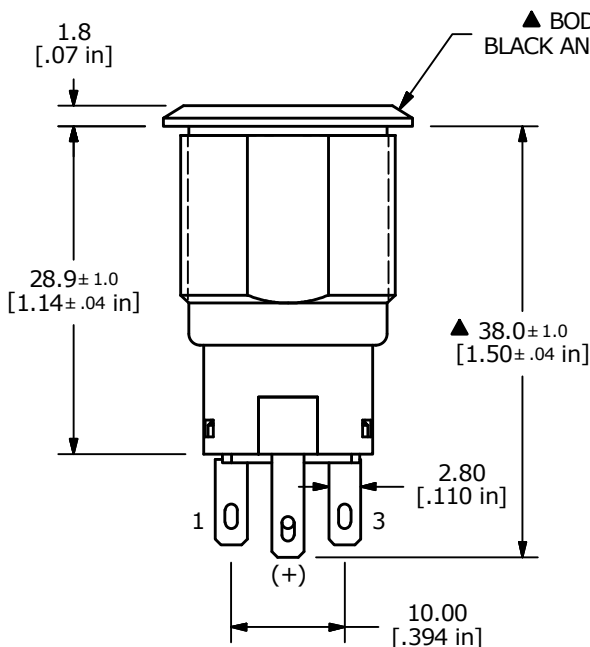
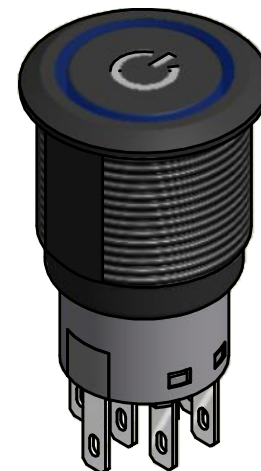


NOTE:

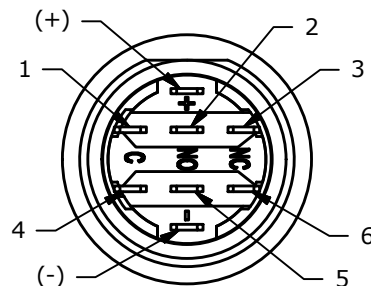
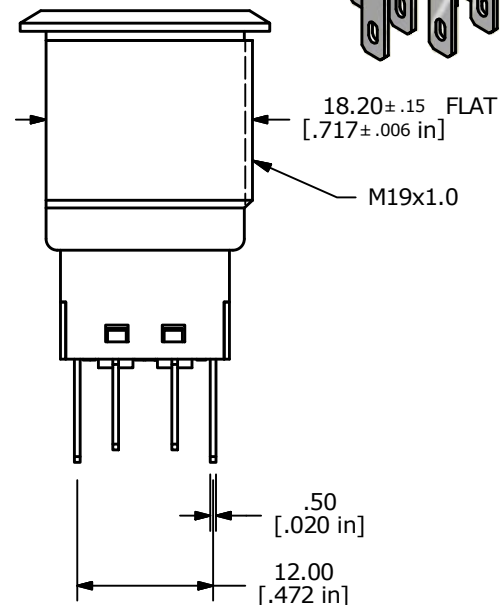
- ALL DIMENSIONS IN mm [INCH]
- GENERAL TOLERANCE: X.X = ±0.4
X.XX = ±0.25
- TERMINAL NUMBERS FOR REF ONLY
- CONTACT MATERIAL: GOLD
- RATING: 2A 24VDC
- ELECTRIC LIFE: 50,000 MAKE-AND-BREAK CYCLES AT FULL LOAD.
- INSULATION RESISTANCE: 1,000 MΩ MIN.
- DIELECTRIC STRENGTH: 2,000 VAC MIN. FOR 1 MINUTE
- CONTACT RESISTANCE: 50mΩ MAX. @ 1A 12VDC
- OPERATING TEMP.: -20°C to 55°C
- TRAVEL: 2.8mm
- ▲ DENOTES CRITICAL PARAMETER.
- INGRESS PROTECTION: IP65
- ▲14. HARDWARE SUPPLIED: O-RING AND HEXNUT
- ▲15. LAMP VOLTAGE: 2.8V



▲ RING ILLUMINATION
COLOR: BLUE
▲ (M01) MARKING
LASER ETCHED
POWER SYMBOL
to REVEAL ALUMINUM
▲ FLAT ACTUATOR
BLACK ANODIZED



▲ BODY
BLACK ANODIZED



B	22491	Drawing Updates	9/16/16	MW
A	21916	New Release	7/16/15	MW
REV	PCR NO	DESCRIPTION	DATE	BY

TITLE PV4F2G011G-341-M01				
SCALE 3:2	DATE 7/16/2015	DR MW	DWG 52-PV4S00245	REV B